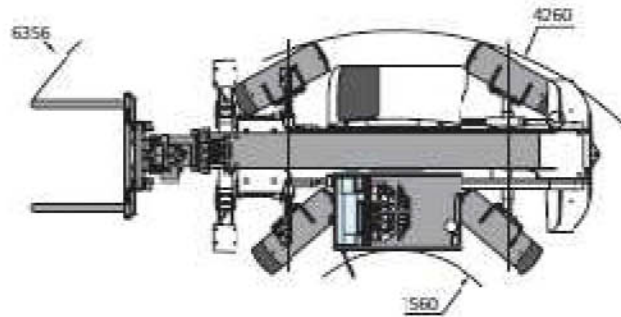
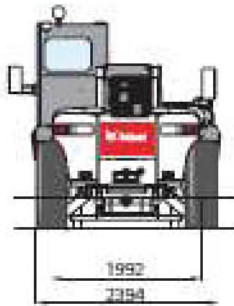
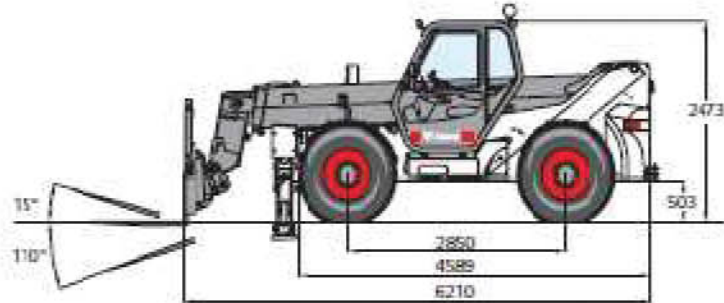
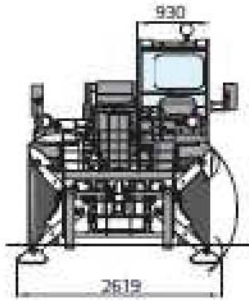
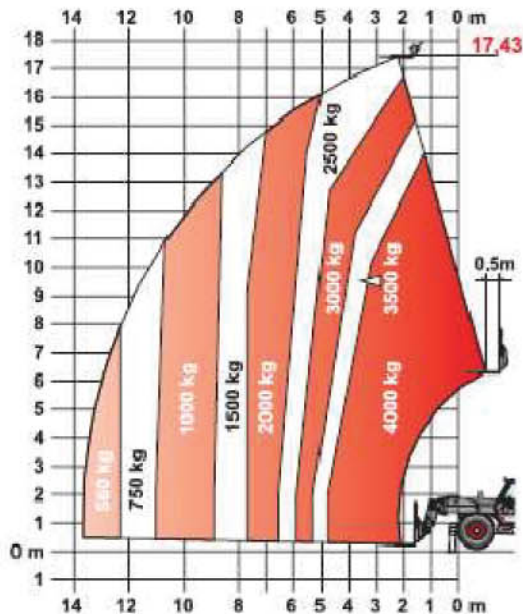




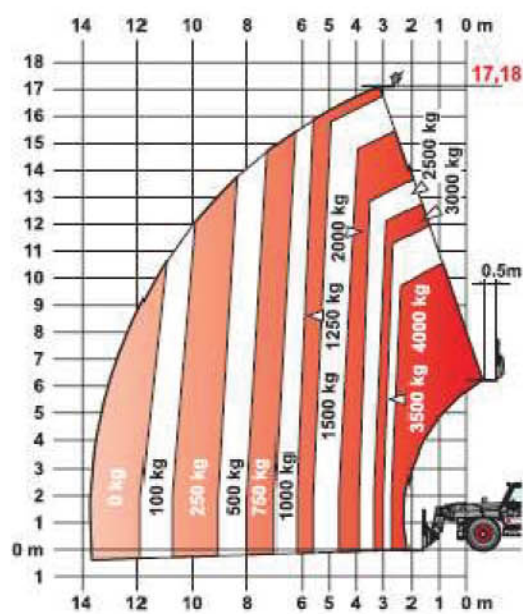
# Bobcat T40170



With Stabilizers



On Wheels



**WINNER HANDLING**

SUSSEX: 01903 230700

SURREY: 01483 456789

EMAIL: SALES@WINNERHANDLING.CO.UK



# Bobcat® T40170

## Performance

Lifting height — on tyres	17430 mm
Lifting height — on stabilisers	17180 mm
Rated capacity	4000 kg
Capacity (at max. height on stabilisers)	2500 kg
Capacity (at max. height on tyres)	1250 kg
Capacity (at max. reach on stabilisers)	560 kg
Capacity (at max. reach on tyres)	0 kg
Max. reach on tyres	13730 mm
Max. reach on stabilisers	13670 mm
Crowding force	5000 daN

## T40170

## Weights

Weight (unladen)	10970 kg
------------------	----------

## Cycle Time

Lift time - no load	12.6 s
Lower time - no load	6.4 s
Telescope in, time at max. reach - no load	19.4 s
Telescope in, time at max. height - no load	16.6 s
Telescope out, time at max. reach - no load	28.9 s
Telescope out, time at max. height - no load	29.0 s

## Fluid Capacities

Axles and reduction gears front/rear	11.9 / 11.4 l
Engine oil	8.5 l
Fuel tank	140 l
Hydraulic reservoir	77 l

## Traction

Standard tyres	400/80x24
Low speed (forward/reverse)	0-8 km/h
High speed (forward/reverse)	0-30 km/h
Driving modes	Direct drive / soft drive

## Engine

Make/Model	PERKINS / 1104C-44T turbo
Fuel / Cooling	Diesel / Water
Rated power (DIN 6271) at 2200 RPM	74.5 kW (100 HP)
Maximum torque at 1400 RPM	412 Nm
Number of cylinders	4
Displacement	4.4 l

## Hydraulic System

Pump type	Engine driven, gear type
Combined pump capacity	144 l/min
Working pressure	265 bar

## WINNER HANDLING

SUSSEX: 01903 230700

SURREY: 01483 456789

EMAIL: SALES@WINNERHANDLING.CO.UK